

317G

Compact Track Loader



JOHN DEERE





SMALL MACHINE, SIZABLE RESULTS

When you need small equipment that can rise high, master heavy loads, and deliver impressive boom- and bucket-breakout forces, the John Deere 317G Compact Track Loader (CTL) can be the do-it-all machine that fits the work you do. Its vertical-lift configuration, amped-up performance, and wide range of options are the result of some of the best ideas we've heard — and put into action — from users just like you. Whether you're buying your first machine or boosting the flexibility of an existing fleet, this reimagined compact is designed to elevate your bottom line.

317G COMPACT TRACK LOADER

FEATURES



Tread lightly

Equipped with standard 12.6-inch-wide track, the 317G's ground pressure is only 5.5 psi. Step even more lightly with optional 15.8-inch-wide track exerting just 4.5 psi, for work in soft underfoot conditions and side-slope stability.

Unleash the beast

Exceptional pushing power and breakout force deliver the tractive effort and leverage to dig in where other machines just spin.

In the lift zone

Vertical-lift boom combines height and reach at the top of the lift path with outstanding stability. Along with a rated operating capacity of 2,125 pounds, the 317G CTL can precisely place pallets and carry big loads.

On the move

With its small stature, this compact is easy to trailer behind a standard pickup truck using the convenient front and rear tie-downs. Narrow-track option slims the 317G down to a maneuverable 65-inch width.

It's all about control

Electrohydraulic (EH) ISO-pattern joystick controls that allow customized machine operations based on operator preference are standard on the 317G.



RELIABLE



PRODUCTIVE

Packed for productivity

Low center of gravity, 30-degree bucket rollback, optional hydraulic self-leveling help keep forks loaded and buckets full. Add capacity with up to two sets of rear counterweights.

Big ideas that deliver

Large cab entryway with swing-out door, generous foot- and legroom, sealing and pressurization to minimize dust and noise, and adjustable high-back sculpted seat optimize operator comfort. Overhead panel conveniently puts machine data on the left and control switches on the right. Easy-to-read LCD monitor reveals a wealth of vital operating info and advanced diagnostics.

Seeing is believing

Clear sightlines to the cutting edge and bucket corners, above and below the lift arms, and the jobsite ahead and behind instill confidence in close quarters. Optional LED side lighting and rearview camera further enhance visibility.

Tackle the to-do list

Swing-out rear door enables easy, ground-level access to daily service checkpoints and cooling system components. Neat freaks and rental yards can appreciate the convenient cab-footwell access that helps speed cleaning.

Make the connection

Equip your CTL with your choice of over 100 available John Deere attachments to expand the flexibility of your operation. Increased auxiliary hydraulic flow and power compared to previous models boosts attachment performance. Add a snow blower, snow pusher, or angle broom to make quick work of winter's white stuff.



317G COMPACT TRACK LOADER



**SWITCHING ATTACHMENTS
ENABLES VERSATILITY IN
ANY WEATHER OR SEASON**

Safety first

Standard personal-protection features include in-cab-activated boom lock and triple-interlock system that detects the presence of the operator to help keep harm's way at bay.

Remote diagnostics and support

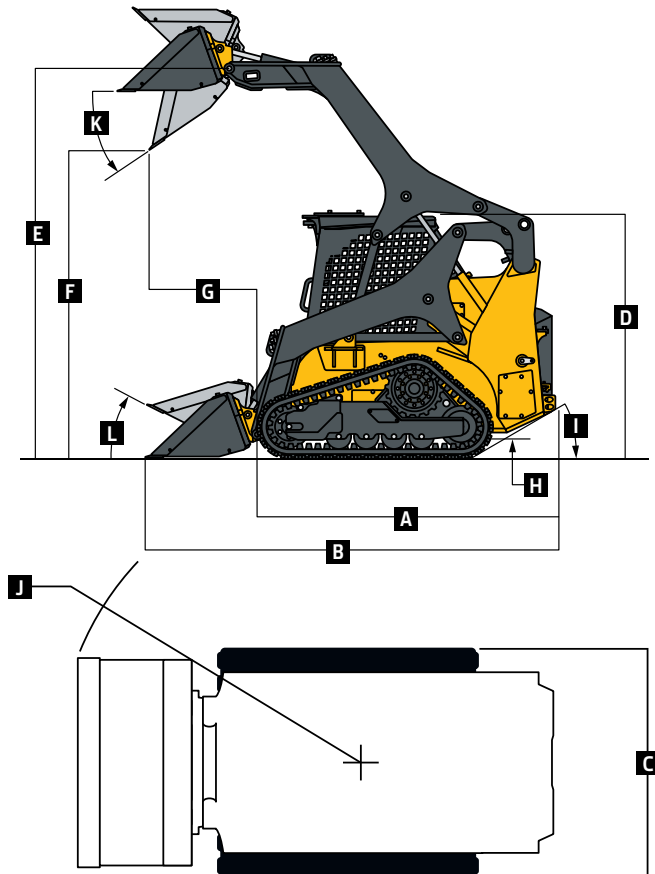
To maximize uptime and lower costs, JDLink™ connectivity provides machine location, utilization data, and alerts to help you maximize productivity and efficiency. JDLink also enables John Deere Connected Support™. Dealers use Expert Alerts based on data from thousands of connected machines to proactively address conditions that may otherwise likely lead to downtime. Your dealer can also monitor machine health and leverage remote diagnostics and programming capability to further diagnose problems and even update machine software without a time-consuming trip to the jobsite.*

*Availability varies by region. Options not available in every country.



317G COMPACT TRACK LOADER SPECIFICATIONS

Engine		317G	
Manufacturer and Model	Yanmar 4TNV86CHT	Displacement	2.1 L (128 cu. in.)
Non-Road Emission Standard	EPA Final Tier 4/EU Stage IV	Rated Engine Speed	2,600 rpm
Cylinders	4	Torque Rise	16% at 1,690 rpm
Net Power (SAE J1349 / ISO 9249)	45.6 kW (61 hp) at 2,600 rpm	Aspiration	Turbocharged
Gross Rated Power (ISO 14396)	48.5 kW (65 hp) at 2,600 rpm	Air Cleaner	Dry dual element
Peak Torque	207 Nm (153 ft.-lb.) at 1,690 rpm		
Cooling			
Fan Type	Direct belt drive		
Powertrain			
Pump	Axial-piston hydrostatic	Gearbox	High-drive direct-drive motor
Motors	Axial-piston hydrostatic	Brakes	Integral, automatic, spring-applied, hydraulically released, wet-disc park brake
Single Speed	11.3 km/h (7.0 mph)		
Undercarriage			
Rubber Tracks	Smooth-ride long-life rubber with steel inserts	Track Rollers (per side)	4 triple-flange smooth-ride all-steel rollers
Ground Pressure		Track Idlers (per side)	1 double-flange and 1 single-flange smooth-ride all-steel rollers
With Standard 320-mm (12.6 in.) Track	38 kPa (5.5 psi)	Bearings/Seals (rollers/idlers)	Heavy-duty journal bearings and metal face seals
With Optional 400-mm (15.8 in.) Wide Track	31 kPa (4.5 psi)	Tractive Effort	3632 kgf (8,000 lbf)
Hydraulics			
Type	3-spool open-center valve	Hydraulic Horsepower (calculated)	25 kW (33 hp)
Pump Flow, Standard	63 L/m (17 gpm)	Auxiliary Hydraulics	Standard connect-under-pressure with flat-faced couplers
System Pressure at Couplers	23 787 kPa (3,450 psi)		
Cylinders			
Type	John Deere heat-treated, chrome-plated, polished cylinder rods, hardened steel (replaceable bushings) pivot pins		
Electrical			
Voltage	12 volt		
Capacity			
Battery	750 CCA standard / 925 CCA with optional cold weather start package		
Reserve	180 min.		
Alternator Rating	70 amp with no air conditioning (A/C) / 90 amp with A/C		
Lights			
Standard	Halogen: 2 front and 1 rear		
Deluxe (optional)	LED: 2 front, 2 side, and 1 rear		
Operator's Station			
ROPS (ISO 3471) / FOPS (ISO 3449) structure with quick pivot standard; keyless-start option with sealed-switch module			
Serviceability			
Refill Capacities			
Fuel Tank	71 L (19 gal.)		
Cooling System	12 L (12.7 qt.)		
Operating Weights			
With Standard 320-mm (12.6 in.) Track	3824 kg (8,423 lb.)		
With Optional 400-mm (15.8 in.) Wide Track	3942 kg (8,683 lb.)		
Machine Dimensions			
A Length Without Bucket	2.63 m (103.0 in.) (8 ft. 7 in.)		
B Length			
With Foundry Bucket	3.24 m (127.6 in.) (10 ft. 8 in.)		
With Construction Bucket	3.49 m (137.4 in.) (11 ft. 5 in.)		
C Width Without Bucket			
With Standard 320-mm (12.6 in.) Track	1.65 m (65.1 in.) (5 ft. 5 in.)		
With Optional 400-mm (15.8 in.) Track	1.82 m (71.5 in.) (5 ft. 11 in.)		
D Height to Top of ROPS	1.99 m (78.5 in.) (6 ft. 6 in.)		
E Height to Hinge Pin	3.07 m (121.0 in.) (10 ft. 1 in.)		
F Dump Height			
With Foundry Bucket	2.43 m (95.6 in.) (8 ft. 0 in.)		
With Construction Bucket	2.26 m (89.0 in.) (7 ft. 5 in.)		
G Dump Reach			
With Foundry Bucket	0.79 m (31.0 in.)		
With Construction Bucket With Edge	0.98 m (38.6 in.) (3 ft. 3 in.)		
H Ground Clearance	0.21 m (8.3 in.)		
I Angle of Departure	32.3 deg.		
J Front Turn Radius With Foundry Bucket	1.97 m (77.7 in.) (6 ft. 6 in.)		
K Dump Angle (full lift height)	42 deg.		
L Bucket Rollback (ground level)	30 deg.		



While general information, pictures, and descriptions are provided, some illustrations and text may include product options and accessories NOT AVAILABLE in all regions, and in some countries products and accessories may require modifications or additions to ensure compliance with the local regulations of those countries.

Loader Performance		317G	
Tipping Load	2756 kg (6,070 lb.)	Boom Breakout Force	
SAE Rated Operating Capacity		With Foundry Bucket	2384 kg (5,250 lb.)
At 35% Tipping Load	965 kg (2,125 lb.)	With Construction Bucket	2270 kg (5,000 lb.)
At 50% Tipping Load	1378 kg (3,035 lb.)	Bucket Breakout Force	
With Counterweight	1022 kg (2,250 lb.)	With Foundry Bucket	2724 kg (6,000 lb.)
		With Construction Bucket	1930 kg (4,250 lb.)

Additional equipment

Key: ● Standard ▲ Optional or special

See your John Deere dealer for further information.

317G Engine

- Meets EPA Final Tier 4/EU Stage IV emissions
- Yanmar 4TNV86CHT
- Auto-idle
- Automatic preheat
- Electronic injection system
- ▲ Engine air precleaner kit
- Fuel tank, 71 L (19 gal.)
- John Deere COOL-GARD™ II Extended-Life Engine Coolant
- John Deere Plus-50™ II 0W40 initial engine oil fill*
- 4-cylinder 48.5 kW (65 gross hp)/ 45.6 kW (61 net hp), 2.1-L (128 cu. in.) displacement
- 5-micron primary fuel filter and water separator
- ▲ Cold-weather starting package with 925-CCA battery

Cooling System

- Coolant overflow bottle recovery tank
- Direct belt-drive cooling fan system
- No-tools-required swing-out oil cooler

Powertrain

- High-drive direct-drive motor
- Automatic spring-applied hydraulically released wet-disc park brake
- Transmission, single speed

Hydraulic System

- John Deere heat-treated, chrome-plated cylinder rods with replaceable bushings
- Connect-under-pressure auxiliary couplers
- Quick-check hydraulic fluid-level sight glass
- 1,000-hour, 5-micron hydraulic filter
- Axial-piston hydrostatic pump

Electrical

- Automatic engine/hydraulic shutdown protection system
- Auxiliary hydraulics operator-presence system
- Courtesy lighting

317G Electrical (continued)

- Deluxe instrumentation EMU with: Operator-selectable monitoring – Hour meter, engine rpm, battery voltage, diagnostics, EMU configuration, engine coolant temperature, hydraulic oil temperature / LED warning indicators – Glow plug, seat switch, seat belt, door open, auxiliary hydraulics, park brake engaged, 2-speed engaged, stop, low engine oil pressure, engine coolant over-temperature, battery not charging, air filter restriction, hydraulic filter restriction
- ▲ Deluxe LED lighting package with additional side lights (2), front lights (2), and rear light (1)
- Front and rear halogen work lights
- Triple-interlock operator-presence control system
- Backup alarm
- Battery, 750 CCA
- Horn

Operator's Station

- Deluxe cab headliner
- ▲ Keyless-start sealed-switch module with integrated anti-theft system
- Pull-down adjustable lap bar
- Quick-pivot ROPS
- Rear window
- Top window
- Removable top window
- ▲ Vinyl cab enclosure
- ▲ Glass cab enclosure
- ▲ Sliding/locking/removable glass side windows
- ROPS/FOPS operator structure
- Seat belt, 51-mm (2-in.), retractable
- ▲ Seat belt, 76-mm (3-in.), retractable
- ▲ Shoulder belt
- Water-shedding deluxe vinyl seat
- ▲ Air-ride cloth, heated seat
- ▲ Air-ride vinyl seat

317G Operator's Station (continued)

- 12-volt power port / Dome light / Cargo storage / Beverage holder
- ▲ Air conditioning with heater/defroster
- ▲ AM/FM radio with Bluetooth® for audio streaming
- Electrohydraulic (EH) ISO-pattern joystick controls
- ▲ EH joystick performance package: Switchable ISO-H pattern / Creeper mode / Boom/bucket speed settings / Adjustable propel settings / Attachment controls
- ▲ Floor mat with left footrest
- Rearview mirror
- ▲ Boom-mounted side mirrors
- ▲ Rearview camera

Loader

- In-cab boom lockout to secure loader before exiting seat
- John Deere Quik-Tatch™
- ▲ Power Quik-Tatch
- John Deere vertical-lift boom
- ▲ Hydraulic self-leveling on/off
- ▲ Ride control

Other

- Convenient front (1) and rear (2) tie-downs
- Environmental drains for all fluid reservoirs
- 320-mm (12.6 in.) tracks, 1.73-m (68 in.) wide machine stance
- ▲ 320-mm (12.6 in.) tracks, 1.65-m (65 in.) narrow machine stance
- ▲ 400-mm (15.8 in.) tracks, 1.80-m (71 in.) wide machine stance
- ▲ Chrome exhaust stack
- ▲ Rear counterweights (2), 45.36 kg (100 lb.)
- ▲ Single-point lift kit
- ▲ SMV sign kit
- ▲ JDLink™ wireless communication system (available in specific countries; see your dealer for details)

*500-hour engine oil-change intervals when John Deere Plus-50 II oil and John Deere oil filter are used.

While general information, pictures, and descriptions are provided, some illustrations and text may include product options and accessories NOT AVAILABLE in all regions, and in some countries products and accessories may require modifications or additions to ensure compliance with the local regulations of those countries.

Net engine power is with standard equipment including air cleaner, exhaust system, alternator, and cooling fan, at standard conditions per SAE J1349 and DIN 6270B, using No. 2-D fuel at 35 API gravity. Gross power is without cooling fan. Specifications and design subject to change without notice. Wherever applicable, specifications are in accordance with SAE standards. Except where otherwise noted, these specifications are based on a unit with standard equipment, full fuel tank, and 79-kg (175-lb.) operator.



DKAGCTL317 (22-10)



JOHN DEERE